

Prades i Verdeguer

REPRESENTACIONES

Soluciones de confianza

2023 JUNIO

ÍNDICE



ACCESORIOS ENCOLAR PVC PRESIÓN

COLLARINES



ACCESORIOS MIXTOS PVC PRESIÓN

UNIONES GIBALT, ANTITRACCIÓN Y UNIVERSALES



JUNTAS EPDM

ACCESORIOS ROSCADOS PVC PRESIÓN



VÁLVULAS PVC Y PE

ACCESORIOS PARA TUBERÍAS DE POLIETILENO



ACCESORIOS PARA TUBERÍAS DE POLIETILENO

ACCESORIOS DE LATÓN PARA POLIETILENO



HUNTER

PLATOS DE DUCHA



DEPÓSITOS EN PRFV

MECANISMOS DE DESCARGA Y GRIFOS SILENCIOSOS



plimat

ACCESORIO DE PRESIÓN ENCOLAR

CODO 90º



∅	Ref.	Ud.	€
16	C16E	50	0,57
20	C20E	170	0,63
25	C25E	90	0,77
32	C32E	50	1,26
40	C40E	120	1,89
50	C50E	64	2,63
63	C63E	32	4,12
75	C75E	20	7,41
90	C90E	12	12,24
110	C110E	16	21,28
125	C125E	12	34,41
140	C140E	8	60,92
160	C160E	5	66,30
200	C200E	2	104,28
250	C250E	1	364,18
315	C315E	1	728,36
400	C400E	1	1688,45

CODO 45º



∅	Ref.	Ud.	€
16	C16E45	60	0,54
20	C20E45	200	0,83
25	C25E45	100	0,92
32	C32E45	60	1,37
40	C40E45	120	1,75
50	C50E45	80	2,32
63	C63E45	40	3,95
75	C75E45	24	6,75
90	C90E45	14	10,95
110	C110E45	20	21,28
125	C125E45	16	32,23
140	C140E45	10	53,74
160	C160E45	6	64,47
200	C200E45	2	94,30
250	C250E45	1	297,97
315	C315E45	1	541,17
400	C400E45	1	986,84

TE 90º



∅	Ref.	Ud.	€
16	T16E	30	0,69
20	T20E	100	0,77
25	T25E	50	0,92
32	T32E	30	1,43
40	T40E	70	2,49
50	T50E	50	3,63
63	T63E	26	5,18
75	T75E	14	9,84
90	T90E	24	16,05
110	T110E	12	27,77
125	T125E	8	48,11
140	T140E	5	79,08
160	T160E	4	83,60
200	T200E	1	127,47
250	T250E	1	463,51
315	T315E	1	794,57
400	T400E	1	1920,21

UNIÓN



∅	Ref.	Ud.	€
16	U16E	100	0,66
20	U20E	200	0,69
25	U25E	120	0,80
32	U32E	70	0,92
40	U40E	180	1,43
50	U50E	120	1,92
63	U63E	60	3,12
75	U75E	36	6,35
90	U90E	18	6,78
110	U110E	12	13,10
125	U125E	24	20,14
140	U140E	14	33,41
160	U160E	10	36,49
200	U200E	3	66,33
225	U225E	2	104,99
250	U250E	1	160,31
315	U315E	1	351,25
400	U400E	1	470,12

CODO REDUCIDO 90º HEMBRA MACHO HEMBRA



H1 x M x H2	Ref.	Ud.	€
50x50-40	CHMH505040	70	3,38
63x63-50	CHMH636350	30	6,41

ACCESORIO DE PRESIÓN ENCOLAR

REDUCCIÓN CÓNICA



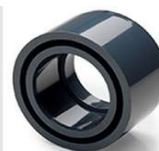
H1-H2-M1-M2	Ref.	Ud.	€
25x20x32x25	RCON2520E	120	0,83
32x20x40x25	RCON3220E	80	0,92
32x25x40x32	RCON3225E	80	0,92
40x20x50x25	RCON4020E	60	1,14
40x25x50x32	RCON4025E	200	1,14
40x32x50x40	RCON4032E	150	1,14
50x20x63x25	RCON5020E	150	2,80
50x25x63x32	RCON5025E	150	2,80
50x32x63x40	RCON5032E	150	2,80
50x40x63x50	RCON5040E	110	2,80
63x32x75	RCON6332E	114	2,92
63x40x75	RCON6340E	100	2,92
63x50x75	RCON6350E	100	2,92
75x40x90x50	RCON7540E	60	5,81
75x50x90	RCON7550E	60	5,81
75x63x90	RCON7563E	36	5,81
90x50x110x63	RCON9050E	27	10,78
90x63x110x75	RCON9063E	27	10,78
90x75x110x90	RCON9075E	27	10,78
110x63x125	RCON11063E	18	15,56
110x75x125	RCON11075E	18	15,56
110x90x125	RCON11090E	18	15,56
125x63x75	RCON12563E	10	20,11
125x75x90	RCON12575E	10	20,11
125x90x140x110	RCON12590E	10	20,11
125x110x140x125	RCON125110E	10	20,11
140x75x90	RCON14075E	7	31,95
140x90x160x110	RCON14090E	6	31,95
140x110x160x125	RCON140110E	6	31,95
140x125x160	RCON140125E	12	31,95
160x75x90	RCON16075E	12	32,81
160x90x110	RCON16090E	12	32,81
160x110x125	RCON160110E	16	32,81
160x125x140	RCON160125E	16	32,81
160x140	RCON160140E	10	32,81
200x110x225	RCON200110E	6	71,50
200x125	RCON200125E	6	71,50
200x140	RCON200140E	6	71,50
200x160x225	RCON200160E	6	71,50

CODO "Y"



Ø	Ref.	Ud.	€
50	CY50	40	5,66
63	CY63	24	8,64
75	CY75	12	15,25

CASQUILLO REDUCIDO



Ø	Ref.	Ud.	€
20x16	CR2016E	150	0,60
25x16	CR2516E	80	0,63
25x20	CR2520E	80	0,63
32x20	CR3220E	200	0,66
32x25	CR3225E	200	0,66
40x16	CR4016E	140	0,97
40x20	CR4020E	140	0,97
40x25	CR4025E	140	0,97
40x32	CR4032E	140	0,97
50x20	CR5020E	80	1,09
50x25	CR5025E	80	1,09
50x32	CR5032E	80	1,09
50x40	CR5040E	80	1,09
63x32	CR6332E	50	1,69
63x40	CR6340E	50	1,69
63x50	CR6350E	50	1,69
75x40	CR7540E	100	2,75
75x50	CR7550E	100	2,75
75x63	CR7563E	100	2,75
90x50	CR9050E	60	4,69
90x63	CR9063E	60	4,69
90x75	CR9075E	60	4,69
110x50	CR11050E	38	8,84
110x63	CR11063E	38	8,84
110x75	CR11075E	38	8,84
110x90	CR11090E	38	8,84
125x75	CR12575E	24	13,61
125x90	CR12590E	24	13,61
125x110	CR125110E	24	13,61
140x90	CR14090E	20	17,07
140x110	CR140110E	20	17,07
140x125	CR140125E	20	17,07
160x90	CR16090E	9	22,17
160x110	CR160110E	9	22,17
160x125	CR160125E	9	22,17
160x140	CR160140E	12	22,17
200x110	CR200110E	4	49,45
200x125	CR200125E	4	54,57
200x140	CR200140E	4	60,01
200x160	CR200160E	4	60,01
225x160	CR225160E	3	81,86
225x200	CR225200E	3	66,50
250x160	CR250160E	3	98,87
250x200	CR250200E	3	98,87
315x160	CR315160E	3	218,26
315x200	CR315200E	3	218,26
315x250	CR315250E	3	218,26
400x250	CR400250E	1	783,10
400x315	CR400315E	1	783,10

PVC SERIE ENCOLAR

PVC SERIE ENCOLAR

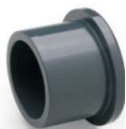
ACCESORIO DE PRESIÓN ENCOLAR

TAPÓN HEMBRA



∅	Ref.	Ud.	€
16	TAPH16E	100	0,57
20	TAPH20E	80	0,63
25	TAPH25E	200	0,66
32	TAPH32E	120	0,89
40	TAPH40E	80	1,75
50	TAPH50E	200	2,14
63	TAPH63E	120	2,52
75	TAPH75E	60	5,81
90	TAPH90E	38	7,18
110	TAPH110E	18	16,10
125	TAPH125E	13	25,08
140	TAPH140E	10	35,78
160	TAPH160E	6	39,38
200	TAPH200E	3	52,66
250	TAPH250E	4	150,04
315	TAPH315E	2	201,21

TAPÓN MACHO



50	TAPM50E	60	1,69
63	TAPM63E	30	2,17

BRIDA CIEGA



∅	Ref.	Ud.	€
50	BC50	70	13,07
63	BC63	50	14,36
75	BC75	40	17,53
90	BC90	34	17,90
110	BC110	25	27,86
125	BC125	18	34,41
140	BC140	14	42,67
160	BC160	10	46,48
200	BC200	10	66,87
225	BC225	3	76,17
250	BC250	5	152,30
315	BC315	2	205,27

BRIDA FIJA CON CUELLO



∅	Ref.	Ud.	€
75	BF75	18	15,30
90	BF90	14	17,53

BRIDA



∅	Ref.	Ud.	€
50	B50	70	5,38
63	B63	50	5,89
75	B75	40	6,78
90	B90	34	8,12
110	B110	25	15,10
125	B125	22	20,33
125 / 140	B125/140	17	25,08
140	B140	17	25,08
160	B160	10	26,86
200	B200	10	38,75
200 / 225	B200/225	10	38,75
250	B250	10	64,81
315	B315	4	153,45
400	B400	2	324,48

PORTABRIDAS



∅	Ref.	Ud.	€
50	PB50	150	2,72
63	PB63	90	3,43
75	PB75	55	4,12
90	PB90	30	6,35
110	PB110	20	10,07
125	PB125	12	13,10
140	PB140	8	18,30
160	PB160	18	24,37
200	PB200	9	44,90
250	PB250	4	71,65
315	PB315	3	197,81
400	PB400	2	318,33

TE 45°



∅	Ref.	Ud.	€
16	T16E45	20	3,98
20	T20E45	80	4,32
25	T25E45	50	4,98
32	T32E45	30	5,95
40	T40E45	55	6,63
50	T50E45	35	7,29
63	T63E45	20	15,25
75	T75E45	11	36,44
90	T90E45	5	66,87
110	T110E45	6	133,71

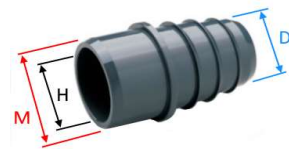
ACCESORIO DE PRESIÓN ENCOLAR

ESPIGA ENCOLAR



M x H x D	Ref.	Ud.	€
20-20	EE20	140	1,09
25-25	EE25	80	1,23
32-25-30	EE3225	50	1,49
40-32-40	EE4032	30	2,49
50-40-45	EE5040	25	2,80
63-50-55	EE6350	15	3,46

ESPIGA ENCOLAR CÓNICA



M x H x D	Ref.	Ud.	€
20-12	EEC20	200	1,09
25-20-17	EEC2520	120	1,23
32-25-24	EEC3225	70	1,49
40-32-29	EEC4032	50	2,49
50-40-31	EEC5040	30	2,80
63-50-45	EEC6350	15	3,46

ENLACE 3 PIEZAS ENCOLAR H-H



Ø	Ref.	Ud.	€
20	3PHH20P	100	2,60
25	3PHH25P	50	3,09
32	3PHH32P	30	3,63
40	3PHH40P	75	5,15
50	3PHH50P	60	6,41
63	3PHH63P	36	9,41
75	3PHH75P	16	36,44
90	3PHH90P	12	41,38
110	3PHH110P	6	52,97

CODO REDUCIDO 45º HEMBRA MACHO HEMBRA



H1 x M x H2	Ref.	Ud.	€
50x50-40	CRED50E45	80	3,66
63x63-50	CRED63E45	45	5,43

CURVA 90º



Ø	Ref.	Ud.	€
20	CU20	80	5,26
25	CU25	45	5,89
32	CU32	25	6,52
40	CU40	50	6,95
50	CU50	25	11,58
63	CU63	14	17,25
75	CU75	8	31,46
90	CU90	4	62,92
110	CU110	4	112,58

ENLACE 3 PIEZAS ENCOLAR MACHO



H1 x M x H2	Ref.	Ud.	€
20-20-16	3PHMH20P	60	2,75
25-25-20	3PHMH25P	40	3,26
32-32-25	3PHMH32P	30	3,77
40-40-32	3PHMH40P	20	5,81
50-50-40	3PHMH50P	72	7,18
63-63-50	3PHMH63P	36	10,24

CRUZ



Ø	Ref.	Ud.	€
20	CRUZ20	90	3,86
25	CRUZ25	40	4,52
32	CRUZ32	30	5,09
40	CRUZ40	60	6,89
50	CRUZ50	30	8,95
63	CRUZ63	20	15,53
75	CRUZ75	9	22,97
90	CRUZ90	15	30,46
110	CRUZ110	8	45,71

COLECTOR CENTRAL



Ø	Ref.	Ud.	€
50	CC3x50	8	23,17

COLECTOR LATERAL



Ø	Ref.	Ud.	€
50	CL3x50	8	23,17

PVC SERIE ENCOLAR

PVC SERIE ENCOLAR

COLLARINES

COLLARÍN CON TORNILLOS



∅	Ref.	Ud.	€
20x"1/2	CT2012	50	2,22
25x"1/2	CT2512	200	2,22
25x"3/4	CT2534	180	2,22
32x"1/2	CT3212	100	3,14
32x"3/4	CT3234	100	3,14
32x1"	CT321	100	3,14
40x"1/2	CT4012	100	3,23
40x"3/4	CT4034	100	3,23
40x1"	CT401	90	3,23
50x"1/2	CT5012	80	3,45
50x"3/4	CT5034	80	3,45
50x1"	CT501	70	3,45
63x"1/2	CT6312	50	5,17
63x"3/4	CT6334	50	5,17
63x1"	CT631	50	5,61
63x1"1/4	CT63114	50	6,40
63x1"1/2	CT63112	45	6,40
75x"1/2	CT7512	30	8,51
75x"3/4	CT7534	30	8,51
75x1"	CT751	30	8,51
75x1"1/4	CT75114	30	8,51
75x1"1/2	CT75112	30	8,51
75x2"	CT752	30	8,51
90x"1/2	CT9012	20	10,78
90x"3/4	CT9034	20	10,78
90x1"	CT901	20	10,78
90x1"1/4	CT90114	20	10,78
90x1"1/2	CT90112	20	10,78
90x2"	CT902	20	10,78
110x"1/2	CT11012	12	12,44
110x"3/4	CT11034	12	12,44
110x1"	CT1101	12	12,44
110x1"1/4	CT110114	12	12,44
110x1"1/2	CT110112	12	12,44
110x2"	CT1102	12	12,44
125x1"	CT1251	12	19,20
125x1"1/4	CT125114	12	19,20
125x1"1/2	CT125112	12	19,20
125x2"	CT1252	12	19,20

COLLARÍN CON TORNILLOS REFORZADO



∅	Ref.	Ud.	€
140x1"	CTR1401	10	25,74
140x1"1/4	CTR140114	10	25,74
140x1"1/2	CTR140112	10	25,74
140x2"	CTR1402	10	25,74
140x2"1/2	CTR140212	8	34,30
140x3"	CTR1403	8	34,30
160x1"	CTR1601	8	36,44
160x1"1/4	CTR160114	8	36,44
160x1"1/2	CTR160112	8	36,44
160x2"	CTR1602	8	36,44
160x2"1/2	CTR160212	8	49,27
160x3"	CTR1603	8	49,27
200x1"	CTR2001	6	104,31
200x1"1/2	CTR200112	6	104,31
200x2"	CTR2002	6	104,31
200x3"	CTR2003	4	128,32
250x1"1/4	CTR250114	2	140,58
250x1"1/2	CTR250112	2	140,58
250x2"	CTR2502	2	140,58
250x2"1/2	CTR250212	2	147,63
250x3"	CTR2503	2	147,63
250x4"	CTR2504	2	147,63
315x1"1/4	CTR315114	1	175,70
315x1"1/2	CTR315112	1	175,70
315x2"	CTR3152	1	175,70
315x2"1/2	CTR315212	1	182,75
315x3"	CTR3153	1	182,75
315x4"	CTR3154	1	182,75

COLLARÍN CON PASADORES



∅	Ref.	Ud.	€
32x"1/2	CP3212	80	2,70
32x"3/4	CP3234	80	2,70
40x"1/2	CP4012	80	2,84
40x"3/4	CP4034	80	2,84
40x1"	CP401	90	2,84
50x"1/2	CP5012	80	2,97
50x"3/4	CP5034	80	2,97
50x1"	CP501	70	2,97

ACCESORIO DE PRESIÓN MIXTO

TE MIXTA HEMBRA



H - H	Ref.	Ud.	€
20x"1/2	TXHH20	70	1,57
25x"1/2	TXHH2512	50	1,83
25x"3/4	TXHH2534	40	1,83
32x"1/2	TXHH3212	30	2,26
32x"3/4	TXHH3234	30	2,43
32x1"	TXHH321	30	2,26
40x1"1/4	TXHH40	20	3,77
50x1"1/2	TXHH50	12	5,46
63x2"	TXHH63	9	6,81
75x2"1/2	TXHH75	3	24,86
90x3"	TXHH90	9	36,92
110x4"	TXHH110	4	60,32

CODO MIXTO HEMBRA



H - H	Ref.	Ud.	€
20x"1/2	CXHH20	120	1,37
25x"1/2	CXHH2512	90	1,57
25x"3/4	CXHH2534	70	1,49
32x"1/2	CXHH3212	60	1,95
32x"3/4	CXHH3234	50	1,95
32x1"	CXHH321	40	1,95
40x1"1/4	CXHH40	25	3,35
50x1"1/2	CXHH50	15	4,55
63x2"	CXHH63	10	5,55
75x2"1/2	CXHH75	6	21,28
90x3"	CXHH90	12	33,32
110x4"	CXHH110	5	51,08

ENLACE 3 PIEZAS MIXTO-MACHO



H - M	Ref.	Ud.	€
20x"1/2	3PXHM2012	90	2,95
25x"3/4	3PXHM2534	50	3,40
32x1"	3PXHM321	30	4,09
40x1"1/4	3PXHM4014	70	5,98
50x1"1/2	3PXHM50112	60	6,78
50x2"	3PXHM502	50	9,21
63x2"	3PXHM632	36	10,30

CODO MIXTO MACHO



H - M	Ref.	Ud.	€
32x"3/4	CXHM3234	50	2,77
32x1"	CXHM321	40	2,77
40x1"1/4	CXHM40114	35	3,17
50x1"1/4	CXHM50114	20	3,52
50x1"1/2	CXHM50112	20	3,52
50x2"	CXHM502	15	3,52
63x2"	CXHM632	10	6,01

ENLACE 3 PIEZAS MIXTO MACHO JUNTA TÓRICA EXTERIOR



H - M	Ref.	Ud.	€
50x1"1/2	3PXHM50112T	60	7,98
63x2"	3PXHM632T	36	12,27

3 PIEZAS MIXTO HEMBRA MACHO HEMBRA



H1 x M x H2	Ref.	Ud.	€
16x20x"1/2	3PXHMH162012	100	3,03
20x25x"3/4	3PXHMH202534	70	3,54
25x32x1"	3PXHMH25321	50	4,24
32x40x1"1/4	3PXHMH3240114	70	6,51
40x50x1"1/2	3PXHMH4050112	48	7,62
50x63x2"	3PXHMH50632	30	11,16

ENLACE 3 PIEZAS MIXTO HEMBRA



H - H	Ref.	Ud.	€
20x"1/2	3PXHH20P	100	2,80
25x"3/4	3PXHH25P	50	3,29
32x1"	3PXHH32P	30	3,86
40x1"1/4	3PXHH40P	75	5,81
50x1"1/2	3PXHH50P	60	7,52
63x2"	3PXHH63P	36	11,27
75x2"1/2	3PXHH75	16	42,73
90x3"	3PXHH90	12	48,68
110x4"	3PXHH110	6	62,27

3 PIEZAS MIXTO HEMBRA MACHO MACHO



H x M1 x M2	Ref.	Ud.	€
16x20x"1/2	3PXHMM162012	100	3,18
20x25x"3/4	3PXHMM202534	70	3,75
25x32x1"	3PXHMM25321	50	4,45
32x40x1"1/4	3PXHMM3240114	70	6,76
40x50x1"1/2	3PXHMM4050112	48	7,45
50x63x2"	3PXHMM50632	30	10,62

PVC SERIE MIXTA

PVC SERIE MIXTA

ACCESORIO DE PRESIÓN MIXTO

MANGUITO MIXTO HEMBRA



H - H	Ref.	Ud.	€
20x1/2	MXHH20	130	1,14
25x3/4	MXHH25	90	1,43
32x1"	MXHH32	50	1,46
40x1"1/4	MXHH40	40	1,69
50x1"1/2	MXHH50	30	2,92
63x2"	MXHH63	18	4,12
75x2"1/2	MXHH75	9	10,67
90x3"	MXHH90	6	14,90
110x4"	MXHH110	12	23,43

MANGUITO MIXTO MÚLTIPLE HEMBRA



H1 x M x H2	Ref.	Ud.	€
20x25x1/2	MH202512	130	1,14
20x25x3/4	MH202534	100	1,14
25x32x1/2	MH253212	100	1,43
25x32x3/4	MH253234	100	1,43
32x40x3/4	MH324034	60	2,09
32x40x1"	MH32401	60	2,09
40x50x1"1/4	MH4050114	40	3,77
40x50x1"1/2	MH4050112	100	3,77
50x63x1"1/2	MH5063112	96	5,20
50x63x2"	MH50632	80	5,20
63x75x2"	MH63752	60	6,67
63x75x2"1/2	MH6375212	36	9,92
63x75x3"	MH63753	35	12,30
75x90x2"1/2	MH7590212	36	15,36
75x90x3"	MH75903	24	15,36
90x110x3"	MH901103	16	26,94

PASAMUROS PVC MIXTO MÚLTIPLE



H x M1 x M2	Ref.	Ud.	€
16x20x1/2	PM12PVC	150	8,21
20x25x3/4	PM34PVC	70	9,21
25x32x1"	PM1PVC	40	10,24
32x40x1"1/4	PM114PVC	100	10,92
40x50x1"1/2	PM112PVC	60	18,76
50x63x2"	PM2PVC	40	21,14
63x75x2"1/2	PM212PVC	30	40,13
75x90x3"	PM3PVC	24	47,45

ENTRONQUE MIXTO MACHO



H - M	Ref.	Ud.	€
20x1/2	MXHM20	50	0,80
25x3/4	MXHM25	120	0,83
32x1"	MXHM32	60	0,97
40x1"1/4	MXHM40	50	1,80
50x1"1/2	MXHM50	35	1,86
63x2"	MXHM63	120	3,35

ENTRONQUE MIXTO MÚLTIPLE MACHO



H x M1 x M2	Ref.	Ud.	€
16x20x1/2	MM162012	200	0,92
16x20x3/4	MM162034	180	0,92
20x25x1/2	MM202512	200	0,92
20x25x3/4	MM202534	150	0,92
25x32x1/2	MM253212	120	1,00
25x32x3/4	MM253234	120	1,00
25x32x1"	MM25321	90	1,00
32x40x1/2	MM324012	60	1,23
32x40x3/4	MM324034	60	1,23
32x40x1"	MM32401	60	1,23
32x40x1"1/4	MM3240114	50	1,49
40x50x1"	MM40501	170	1,75
40x50x1"1/4	MM4050114	150	1,75
40x50x1"1/2	MM4050112	140	2,09
50x63x1"	MM50631	120	3,17
50x63x1"1/4	MM5063114	120	3,17
50x63x1"1/2	MM5063112	120	3,17
50x63x2"	MM50632	80	3,17
63x75x1"1/4	MM6375114	80	5,32
63x75x1"1/2	MM6375112	80	5,32
63x75x2"	MM63752	80	5,32
63x75x2"1/2	MM6375212	57	8,18
75x90x2"	MM75902	48	8,49
75x90x2"1/2	MM7590212	48	8,49
75x90x3"	MM75903	36	8,49
90x110x2"1/2	MM90110212	20	11,27
90x110x3"	MM901103	20	11,27
90x110x4"	MM901104	16	14,18
110x125x2"1/2	MM110125212	18	12,96
110x125x3"	MM1101253	18	12,96
110x125x4"	MM1101254	12	16,10
140x160x3"	MM1401603	15	30,03
140x160x4"	MM1401604	15	32,43

ACCESORIO DE PRESIÓN MIXTO

MANGUITO REFORZADO HEMBRA HEMBRA



H - H	Ref.	Ud.	€
32x1"	MXRHH32	50	2,44
40x1"1/4	MXRHH40	40	3,14
50x1"1/2	MXRHH50	30	5,18
63x2"	MXRHH63	18	7,58

TE MIXTA MACHO



H - M	Ref.	Ud.	€
20x"1/2	TXHM20	100	2,10
25x"3/4	TXHM25	50	2,42
32x1"	TXHM32	30	3,15

CODO SALIDA AIRE



H - M	Ref.	Ud.	€
50x"1/2	CSA5012	50	6,64
50x"3/4	CSA5034	50	6,64
63x"1/2	CSA6312	26	10,47
63x"3/4	CSA6334	26	10,47
75x"1/2	CSA7512	18	13,53
75x"3/4	CSA7534	18	13,53
90x"3/4	CSA9034	12	23,41

REDUCCIÓN MIXTA MACHO-HEMBRA



M x H	Ref.	Ud.	€
20x"1/4	RXMH2014	100	2,06
20x"3/8	RXMH2038	100	2,06
25x"3/8	RXMH2538	50	2,72
25x"1/2	RXMH2512	50	2,72
32x"1/2	RXMH3212	150	2,97
32x"3/4	RXMH3234	150	2,97
40x"1/2	RXMH4012	70	3,86
40x"3/4	RXMH4034	70	3,86
40x1"	RXMH401	70	3,86
50x"1/4	RXMH5014	60	4,29
50x"3/8	RXMH5038	60	4,29
50x"1/2	RXMH5012	60	4,29
50x"3/4	RXMH5034	60	4,29
50x1"	RXMH501	60	4,29
50x1"1/4	RXMH50114	60	4,29
63x1"1/4	RXMH63114	36	5,29
63x1"1/2	RXMH63112	36	5,29

PVC SERIE MIXTA

PVC SERIE MIXTA

ACCESORIO DE PRESIÓN ROSCAR

CODO ROSCADO HEMBRA



∅	Ref.	Ud.	€
"1/2	C12R	120	1,20
"3/4	C34R	70	1,77
1"	C1R	40	2,43
1"1/4	C114R	25	3,77
1"1/2	C112R	15	4,98
2"	C2R	10	7,06
2"1/2	C212R	6	22,71
3"	C3R	12	34,78
4"	C4R	5	56,75

TE ROSCADA HEMBRA



∅	Ref.	Ud.	€
"1/2	T12R	80	1,80
"3/4	T34R	40	2,37
1"	T1R	30	3,15
1"1/4	T114R	20	5,03
1"1/2	T112R	12	6,41
2"	T2R	9	10,04
2"1/2	T212R	3	29,12
3"	T3R	8	39,01
4"	T4R	4	67,41

MACHÓN REDUCIDO DOBLE ROSCA



∅	Ref.	Ud.	€
"3/4 x "1/2	MR3412	180	1,49
1" x "1/2	MR112	100	1,86
1" x "3/4	MR134	100	1,86
1"1/4 x "1/2	MR11412	60	2,92
1"1/4 x "3/4	MR11434	60	2,92
1"1/4 x 1"	MR1141	50	2,92
1"1/2 x "1/2	MR11212	50	3,63
1"1/2 x "3/4	MR11234	50	3,63
1"1/2 x 1"	MR1121	40	3,63
1"1/2 x 1"1/4	MR112114	40	3,63
2" x "3/4	MR234	30	4,43
2" x 1"	MR21	25	4,43
2" x 1"1/4	MR2114	25	4,43
2" x 1"1/2	MR2112	25	4,43
2"1/2 x 2"	MR2122	20	6,49
3" x 1"1/2	MR3112	12	8,52
3" x 2"	MR32	12	8,52
3" x 2"1/2	MR3212	9	8,52
4" X 2"	MR42	8	19,11
4" X 2"1/2	MR4212	8	19,11
4" X 3"	MR43	8	19,11

MACHÓN DOBLE ROSCA



∅	Ref.	Ud.	€
"1/4	M14	200	0,66
"1/2	M12	250	1,09
"3/4	M34	150	1,29
1"	M1	80	1,75
1"1/4	M114	50	2,52
1"1/2	M112	40	3,46
2"	M2	20	5,35
2"1/2	M212	10	6,67
3"	M3	7	9,92
4"	M4	4	22,51

MANGUITO UNIÓN ROSCADO



∅	Ref.	Ud.	€
"1/2	UR12	160	1,00
"3/4	UR34	90	1,17
1"	UR1	50	1,63
1"1/4	UR114	40	2,26
1"1/2	UR112	30	3,20
2"	UR2	18	5,72
2"1/2	UR212	9	14,56
3"	UR3	6	17,76
4"	UR4	12	26,23

ALARGADERA ROSCADA MACHO HEMBRA



M x H	Ref.	Ud.	€
"1/2 x "1/2	MMH12R	30	1,52
"3/4 x "3/4	MMH34R	100	1,69
1" x 1"	MMH1R	50	1,97
1"1/4 x 1"1/4	MMH114R	35	2,46
1"1/2 x 1"1/2	MMH112R	30	2,77
2" x 2"	MMH2R	20	6,41
4" x 4"	MMH4R	12	24,57

ACCESORIO DE PRESIÓN ROSCAR

TAPÓN ROSCADO HEMBRA



∅	Ref.	Ud.	€
"1/2	TAPH12R	40	0,92
"3/4	TAPH34R	30	1,17
1"	TAPH1R	20	1,46
1"1/4	TAPH114R	60	2,43
1"1/2	TAPH112R	50	3,00
2"	TAPH2R	30	4,09
2"1/2	TAPH212R	15	11,39
3"	TAPH3R	10	19,16
4"	TAPH4R	6	25,54

TAPÓN ROSCADO MACHO



∅	Ref.	Ud.	€
"1/4	TAPM14R	200	0,60
"1/2	TAPM12R	70	0,71
"3/4	TAPM34R	40	1,00
1"	TAPM1R	20	1,26
1"1/4	TAPM114R	70	1,75
1"1/2	TAPM112R	60	2,37
2"	TAPM2R	30	3,38
2"1/2	TAPM212R	25	6,84
3"	TAPM3R	15	10,92
4"	TAPM4R	8	20,14

TUERCA REDUCIDA MACHO HEMBRA



M x H	Ref.	Ud.	€
"3/8 x "1/4	RMH3814	100	0,77
"1/2 x "3/8	RMH1238	50	0,77
"1/2 x "1/4	RMH1214	50	0,79
"3/4 x "1/2	RMH3412	150	1,63
1" x "1/2	RMH112	110	1,97
1" x "3/4	RMH134	90	1,97
1"1/4 x "1/2	RMH11412	60	3,17
1"1/4 x "3/4	RMH11434	50	3,17
1"1/4 x 1"	RMH1141	50	3,17
1"1/2 x "1/2	RMH11212	50	3,69
1"1/2 x "3/4	RMH11234	50	3,69
1"1/2 x 1"	RMH1121	50	3,69
1"1/2 x 1"1/4	RMH112114	35	3,69
2" x "3/4	RMH234	35	5,52
2" x 1"	RMH21	35	5,52
2" x 1"1/4	RMH2114	35	5,52
2" x 1"1/2	RMH2112	25	5,52
2"1/2 x 2"	RMH2122	20	25,57

REDUCCIÓN COPA HEMBRA MACHO



H x M	Ref.	Ud.	€
"1/2 x "3/8	RHM1238	50	0,77
"3/4 x "1/2	RHM3412	120	1,63
1" x "3/4	RHM134	80	1,97
1"1/4 x 1"	RHM1141	40	3,17
1"1/2 x 1"1/4	RHM112114	30	3,69
2" x 1"1/2	RHM2112	20	5,52
4" x 2"	RHM42	18	25,57
4" x 2"1/2	RHM4212	18	25,57
4" x 3"	RHM43	18	25,57

TUERCA REDUCIDA CORTA MACHO HEMBRA



M x H	Ref.	Ud.	€
"1/2 x "1/4	RMH1214C	80	0,97
"3/4 x "1/2	RMH3412C	50	1,63
1" x "1/2	RMH112C	30	1,97
1" x "3/4	RMH134C	30	1,97
1"1/4 x "1/2	RMH11412C	140	2,52
1"1/4 x "3/4	RMH11434C	140	2,52
1"1/4 x 1"	RMH1141C	140	2,52
1"1/2 x 3/4"	RMH11234C	100	2,80
1"1/2 x 1"	RMH1121C	100	2,80
1"1/2 x 1"1/4	RMH112114C	90	2,80
2" x 1"	RMH21C	50	4,18
2" x 1"1/4	RMH2114C	50	4,18
2" x 1"1/2	RMH2112C	50	4,18

MANGUITO REDUCIDO HEMBRA HEMBRA



H x H	Ref.	Ud.	€
"3/4 x "1/2	RHH3412	120	1,37
1" x "1/2	RHH112	80	1,80
1" x "3/4	RHH134	70	1,80
1"1/4 x "1/2	RHH11412	80	2,60
1"1/4 x "3/4	RHH11434	70	2,60
1"1/4 x 1"	RHH1141	60	2,60
1"1/2 x "1/2	RHH11212	45	2,95
1"1/2 x "3/4	RHH11234	45	2,95
1"1/2 x 1"	RHH1121	40	2,95
1"1/2 x 1"1/4	RHH112114	30	2,95

PVC SERIE ROSCAR

PVC SERIE ROSCAR

ACCESORIO DE PRESIÓN ROSCAR

ESPIGA ROSCADA



G x D	Ref.	Ud.	€
"1/4 x 12	ER14	100	0,43
"1/2 x 20	ER12	140	1,14
"3/4 x 25	ER34	80	1,29
1" x 30	ER1	50	1,75
1"1/4 x 40	ER114	30	2,60
1"1/2 x 45	ER112	25	3,09
2" x 55	ER2	15	3,46

ESPIGA ROSCADA CÓNICA



G x D	Ref.	Ud.	€
"1/4 x 8	ERC14	150	0,69
"1/2 x 12	ERC12	200	1,14
"3/4 x 17	ERC34	120	1,29
1" x 24	ERC1	70	1,75
1"1/4 x 29	ERC114	50	2,60
1"1/2 x 39	ERC112	30	3,09
2" x 45	ERC2	15	3,46

ENLACE 3 PIEZAS ROSCADO HEMBRA MACHO



∅	Ref.	Ud.	€
"1/2	3PHM12R	90	3,40
"3/4	3PHM34R	50	4,32
1"	3PHM1R	30	5,29
1"1/4	3PHM114R	70	7,69
1"1/2	3PHM112R	60	9,27
2"	3PHM2R	30	13,47

PASAMUROS ROSCADO PP



∅	Ref.	Ud.	€
"1/2	PM12	120	4,31
"3/4	PM34	70	4,67
1"	PM1	50	7,98
1"1/4	PM114	30	8,29
1"1/2	PM112	25	10,96
2"	PM2	15	13,24

PASAMUROS ROSCADO AMBAS PARTES



∅	Ref.	Ud.	€
"1/2	PMR12	150	8,21
"3/4	PMR34	70	9,21
1"	PMR1	40	10,24
1"1/4	PMR114	25	10,92
1"1/2	PMR112	60	18,76
2"	PMR2	40	21,14

ENLACE 3 PIEZAS ROSCADO HEMBRA HEMBRA



∅	Ref.	Ud.	€
"1/2	3PHH12RP	100	3,23
"3/4	3PHH34RP	50	4,00
1"	3PHH1RP	30	4,95
1"1/4	3PHH114RP	75	7,18
1"1/2	3PHH112RP	60	8,49
2"	3PHH2RP	36	12,78
2"1/2	3PHH212RP	16	49,00
3"	3PHH3RP	12	55,63
4"	3PHH4RP	6	71,50

VÁLVULAS

ENCOLAR



∅	Ref.	Ud.	€
20	VE20	40	11,07
25 DN20	VE25P	60	13,81
25 DN25	VE25	40	14,79
32	VE32	40	15,70
40	VE40	16	22,14
50	VE50	16	23,62
63	VE63	10	35,06
75	VE75	5	150,04
90	VE90	3	190,97
110 DN80	VE110	3	221,66

ROSCAR



∅	Ref.	Ud.	€
"1/2	VRHH12	40	12,18
"3/4	VRHH34	40	15,87
1"	VRHH1	40	17,53
1"1/4	VRHH114	16	24,00
1"1/2	VRHH112	16	25,86
2"	VRHH2	10	38,01
2"1/2	VRHH212	5	158,57
3"	VRHH3	3	201,21
4" (DN80)	VRHH4	3	231,87

TUBERÍA POLIETILENO



∅	Ref.	Ud.	€
20	VPE20	30	13,49
25	VPE25	30	17,93
32	VPE32	28	24,22
40	VPE40	12	28,70
50	VPE50	10	35,90
63	VPE63	5	47,52
75*	VPE75	2	241,42
90*	VPE90	1	292,92

CLAPETA CON VISOR



∅	Ref.	Ud.	€
50	VC50	40	35,09
63	VC63	24	45,05

ANTIRETORNO ENCOLAR



∅	Ref.	Ud.	€
20	VARHH20	120	13,87
25	VARHH25	50	18,45
32	VARHH32	50	19,54
40	VARHH40	20	27,66
50	VARHH50	20	29,46
63	VARHH63	10	43,64
75	VARHH75	6	96,04
90	VARHH90	3	132,45
110	VARHH110	3	145,70

ANTIRETORNO ROSCAR



∅	Ref.	Ud.	€
"1/2	VARHH12R	120	15,27
"3/4	VARHH34R	50	19,88
1"	VARHH1R	50	22,02
1"1/4	VARHH114R	20	30,15
1"1/2	VARHH112R	20	32,29
2"	VARHH2R	10	47,56
2"1/2	VARHH212R	6	105,94
3"	VARHH3R	3	145,70
4" (DN80)	VARHH4R	3	162,26

VÁLVULA DE PIE ENCOLAR



∅	Ref.	Ud.	€
20	VPIE20	35	15,01
25	VPIE25	35	19,79
32	VPIE32	35	20,82
40	VPIE40	12	30,37
50	VPIE50	12	31,72
63	VPIE63	8	46,73

PP NEGRA ROSCAR



∅	Ref.	Ud.	€
"1/2	VPP12	40	14,49
"3/4	VPP34	40	19,24
1"	VPP1	40	20,30
1"1/4	VPP114	16	28,97
1"1/2	VPP112	16	30,81
2"	VPP2	10	45,63

VÁLVULAS

TEFLÓN-VITÓN ENCOLAR



∅	Ref.	Ud.	€
20	VETV20	40	27,29
25	VETV25	40	30,37
32	VETV32	40	32,43
40	VETV40	16	49,15
50	VETV50	16	51,83
63	VETV63	10	84,23
75	VETV75	5	251,64
90	VETV90	3	324,48
110 (DN80)	VETV110	3	344,36

TEFLÓN-VITÓN ROSCAR



∅	Ref.	Ud.	€
"1/2	VRHHTV12	40	29,03
"3/4	VRHHTV34	40	32,43
1"	VRHHTV1	40	34,12
1"1/4	VRHHTV114	16	52,20
1"1/2	VRHHTV112	16	54,92
2"	VRHHTV2	10	89,35
2"1/2	VRHHTV212	5	258,27
3"	VRHHTV3	3	334,38
4" (DN80)	VRHHTV4	3	357,59

MARIPOSA PP-PVC



∅	Ref.	Ud.	€
63	VM63	1	157,86
75	VM75	1	170,62
90	VM90	1	186,72
110	VM110	1	207,61
125/140	VM125	1	241,42
160	VM160	1	294,53
200/225	VM200	1	469,94

MIXTA PE - PVC ROSCA HEMBRA



∅	Ref.	Ud.	€
20x"1/2	VXPEPVC20	35	13,17
25x"3/4	VXPEPVC25	30	17,31
32x1"	VXPEPVC32	30	21,43
40x1"1/4	VXPEPVC40	10	26,99
50x1"1/2	VXPEPVC50	10	31,68
63x2"	VXPEPVC63	7	43,93

KIT VÁLVULAS DE MARIPOSA



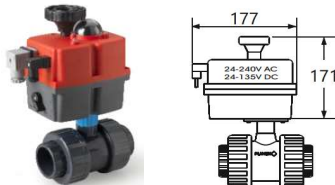
∅	Ref.	Ud.	€
63	KVM63	1	50,86
75	KVM75	1	69,01
90	KVM90	1	105,28
110	KVM110	1	123,47
125/140	KVM125	1	177,92
160	KVM160	1	275,95
200/225	KVM200	1	453,91

ANTIRETORNO TUBERÍA POLIETILENO



∅	Ref.	Ud.	€
20	VARPE20	30	16,91
25	VARPE25	34	22,41
32	VARPE32	25	30,34
40	VARPE40	13	35,90
50	VARPE50	11	44,82
63	VARPE63	5	59,31

ENCOLAR CON ACTUADOR 24-240V AC 24-135V DC



∅	Ref.	Ud.	€
20	VE20AC	1	927,01
25	VE25AC	1	943,57
32	VE32AC	1	943,57
40	VE40AC	1	1046,19
50	VE50AC	1	1046,19
63	VE63AC	1	1075,98

CLAPETA



∅	Ref.	Ud.	€
63	VCL63	1	Consultar
75	VCL75	1	Consultar
90	VCL90	1	Consultar
110	VCL110	1	Consultar
125	VCL125	1	Consultar
140	VCL140	1	Consultar
160	VCL160	1	Consultar
200	VCL200	1	Consultar

ACCESORIOS PARA TUBERÍA DE POLIETILENO

CODO



∅	Ref.	Ud.	€
20	PPC20N	20	3,32
25	PPC25N	10	4,05
32	PPC32N	10	5,04
40	PPC40N	30	9,39
50	PPC50N	20	12,97
63	PPC63N	12	15,80

TE



∅	Ref.	Ud.	€
20	PPT20N	20	4,34
25	PPT25N	10	5,75
32	PPT32N	10	7,47
40	PPT40N	20	12,97
50	PPT50N	12	17,75
63	PPT63N	8	25,36

UNIÓN



∅	Ref.	Ud.	€
20	PPU20N	20	3,32
25	PPU25N	10	3,84
32	PPU32N	10	4,90
40	PPU40N	40	8,91
50	PPU50N	25	12,00
63	PPU63N	15	16,78

REDUCCIÓN



∅	Ref.	Ud.	€
25x20	PPR2520N	10	3,82
32x25	PPR3225N	10	4,99
40x32	PPR4032N	40	8,55
50x40	PPR5040N	30	11,22
63x50	PPR6350N	15	15,80

TE MACHO



∅	Ref.	Ud.	€
20x"1/2	PPTM2012N	20	3,89
25x"3/4	PPTM2534N	10	5,06
32x1"	PPTM321N	10	6,39

TE HEMBRA



∅	Ref.	Ud.	€
20x"1/2	PPTH2012N	20	3,68
25x"3/4	PPTH2534N	10	4,71
32x1"	PPTH321N	10	6,14
40x1"-1/4	PPTH40114N	28	11,22
50x1"-1/2	PPTH50112N	18	15,12
63x2"	PPTH632N	10	22,24

TAPÓN



∅	Ref.	Ud.	€
20	PPTAP20N	20	2,37
25	PPTAP25N	10	2,50
32	PPTAP32N	10	3,06
40	PPTAP40N	60	5,46
50	PPTAP50N	40	8,08
63	PPTAP63N	24	10,92

CODO HEMBRA PARED



∅	Ref.	Ud.	€
20x"1/2	PPCP2012N	20	6,14
25x"3/4	PPCP2534N	10	7,35
32x1"	PPCP321N	10	11,70

ACCESORIOS PARA POLIETILENO

ACCESORIOS PARA POLIETILENO

ACCESORIOS PARA TUBERÍA DE POLIETILENO

ENTRONQUE MACHO



∅	Ref.	Ud.	€
20x1/2	PPEM2012N	20	1,84
25x3/4	PPEM2534N	10	2,14
32x1"	PPEM321N	10	2,69
40x1"-1/4	PPEM40114N	60	5,49
50x1"-1/2	PPEM50112N	35	7,35
63x2"	PPEM632N	24	10,24

ENLACE HEMBRA



∅	Ref.	Ud.	€
20x1/2	PPEH2012N	20	2,20
25x3/4	PPEH2534N	10	2,57
32x1"	PPEH321N	10	3,08
40x1"-1/4	PPEH40114N	60	5,61
50x1"-1/2	PPEH50112N	35	7,23
63x2"	PPEH632N	24	10,24

CODO HEMBRA



∅	Ref.	Ud.	€
20x1/2	PPCH2012N	20	2,62
25x3/4	PPCH2534N	10	3,12
32x1"	PPCH321N	10	3,89
40x1"-1/4	PPCH40114N	45	7,71
50x1"-1/2	PPCH50112N	30	10,24
63x2"	PPCH632N	17	14,14

CODO MACHO



∅	Ref.	Ud.	€
20x1/2	PPCM2012N	20	2,22
25x3/4	PPCM2534N	10	2,86
32x1"	PPCM321N	10	3,68
40x1"-1/4	PPCM40114N	45	6,39
50x1"-1/2	PPCM50112N	30	8,08
63x2"	PPCM632N	15	11,22

LLAVE



∅	Ref.	Ud.	€
20 -- 63	LLAVEPE	50	10,14

ACCESORIOS PARA TUBERÍA DE POLIETILENO

CODO



∅	Ref.	Ud.	€
20	PPC20	20	3,48
25	PPC25	15	4,27
32	PPC32	100	5,53
40	PPC40	60	9,97
50	PPC50	36	13,03
63	PPC63	24	17,32
75	PPC75	12	37,79
90	PPC90	8	53,95
110	PPC110	4	122,53

TE



∅	Ref.	Ud.	€
20	PPT20	15	4,80
25	PPT25	10	6,01
32	PPT32	70	8,06
40	PPT40	40	14,09
50	PPT50	25	18,39
63	PPT63	16	26,02
75	PPT75	8	53,95
90	PPT90	5	92,86
110	PPT110	2	165,12

UNIÓN



∅	Ref.	Ud.	€
20	PPU20	15	3,31
25	PPU25	15	4,04
32	PPU32	10	5,22
40	PPU40	72	9,12
50	PPU50	44	11,87
63	PPU63	30	16,56
75	PPU75	16	34,19
90	PPU90	10	55,39
110	PPU110	5	95,87

REDUCCIÓN



∅	Ref.	Ud.	€
25x20	PPR2520	15	4,13
32x20	PPR3220	10	5,31
32x25	PPR3225	10	5,31
40x25	PPR4025	100	9,32
40x32	PPR4032	85	9,32
50x32	PPR5032	60	11,93
50x40	PPR5040	60	11,93
63x32	PPR6332	40	17,12
63x50	PPR6350	30	17,12
75x63	PPR7563	18	34,19
90x75	PPR9075	12	55,39
110x90	PPR11090	8	98,48

TE MACHO



∅	Ref.	Ud.	€
20x1/2	PPTM2012	15	3,90
25x1/2	PPTM2512	15	5,00
25x3/4	PPTM2534	15	5,00
32x1"	PPTM321	85	6,90
40x1"-1/4	PPTM40114	50	11,28
50x1"-1/2	PPTM50112	30	15,19
63x2"	PPTM632	20	24,28

TE HEMBRA



∅	Ref.	Ud.	€
20x1/2	PPTH2012	15	4,30
25x1/2	PPTH2512	10	5,59
25x3/4	PPTH2534	10	5,59
32x3/4	PPTH3234	100	7,75
32x1"	PPTH321	100	7,75
40x1"-1/4	PPTH40114	45	12,24
50x1"-1/2	PPTH50112	30	15,83
63x2"	PPTH632	18	24,93
75x2"-1/2	PPTH75212	10	42,50
90x3"	PPTH903	7	66,78
110x4"	PPTH1104	4	127,87

ACCESORIOS PARA TUBERÍA DE POLIETILENO

ENTRONQUE MACHO



∅	Ref.	Ud.	€
20x1/2	PPEM2012	25	2,10
20x3/4	PPEM2034	25	2,10
20x1"	PPEM201	25	2,10
25x1/2	PPEM2512	20	2,61
25x3/4	PPEM2534	20	2,61
25x1"	PPEM251	20	2,61
32x1/2	PPEM3212	10	3,62
32x3/4	PPEM3234	10	3,62
32x1"	PPEM321	10	3,62
32x1"-1/4	PPEM32114	10	3,62
32x1"-1/2	PPEM32112	10	3,62
40x1"	PPEM401	100	5,73
40x1"-1/4	PPEM40114	100	5,73
40x1"-1/2	PPEM40112	100	5,73
50x1"	PPEM501	80	7,02
50x1"-1/4	PPEM50114	80	7,02
50x1"-1/2	PPEM50112	80	7,02
50x2"	PPEM502	70	7,02
63x1"-1/2	PPEM63112	45	10,13
63x2"	PPEM632	45	10,13
75x2"-1/2	PPEM75212	26	21,76
90x3"	PPEM903	16	33,77
110x4"	PPEM1104	8	65,27

ENLACE HEMBRA



∅	Ref.	Ud.	€
20x1/2	PPEH2012	25	2,61
20x3/4	PPEH2034	25	2,61
25x1/2	PPEH2512	20	3,31
25x3/4	PPEH2534	20	3,31
25x1"	PPEH251	20	3,37
32x1/2	PPEH3212	10	3,93
32x3/4	PPEH3234	10	3,93
32x1"	PPEH321	10	3,93
32x1"-1/4	PPEH32114	10	3,93
32x1"-1/2	PPEH32112	10	3,93
40x1"	PPEH401	100	6,34
40x1"-1/4	PPEH40114	100	6,34
40x1"-1/2	PPEH40112	100	6,34
50x1"-1/4	PPEH50114	65	8,25
50x1"-1/2	PPEH50112	65	8,25
50x2"	PPEH502	65	8,25
63x1"-1/2	PPEH63112	65	11,62
63x2"	PPEH632	45	11,62
75x2"-1/2	PPEH75212	26	23,02
90x3"	PPEH903	16	33,77
110x4"	PPEH1104	8	70,63

TE REDUCIDA



∅	Ref.	Ud.	€
25x20	PPTR2520	10	6,06
32x25	PPTR3225	80	7,81
40x32	PPTR4032	40	14,32
50x40	PPTR5040	25	19,09
63x50	PPTR6350	16	26,89

TAPÓN



∅	Ref.	Ud.	€
20	PPTAP20	20	2,41
25	PPTAP25	20	2,92
32	PPTAP32	10	3,82
40	PPTAP40	125	5,87
50	PPTAP50	80	8,25
63	PPTAP63	45	11,28
75	PPTAP75	26	25,74
90	PPTAP90	16	47,11
110	PPTAP110	10	71,98

CODO HEMBRA PARED



∅	Ref.	Ud.	€
20x1/2	PPCP2012	10	8,51
25x3/4	PPCP2534	10	11,28

LLAVE



∅	Ref.	Ud.	€
20 -- 63	LLAVEPE	50	10,14

ACCESORIOS PARA TUBERÍA DE POLIETILENO

CODO HEMBRA



∅	Ref.	Ud.	€
20x"1/2	PPCH2012	25	3,37
20x"3/4	PPCH2034	25	3,37
25x"1/2	PPCH2512	20	4,24
25x"3/4	PPCH2534	20	4,24
25x"1	PPCH251	20	4,24
32x"3/4	PPCH3234	10	5,64
32x1"	PPCH321	10	5,64
40x1"-1/4	PPCH40114	75	8,17
50x1"-1/2	PPCH50112	55	11,20
63x2"	PPCH632	30	14,74
75x2"-1/2	PPCH75212	15	32,23
90x3"	PPCH903	10	43,71
110x4"	PPCH1104	6	97,92

CODO MACHO



∅	Ref.	Ud.	€
20x"1/2	PPCM2012	25	3,06
20x"3/4	PPCM2034	25	3,06
25x"1/2	PPCM2512	20	3,93
25x"3/4	PPCM2534	20	3,93
25x"1	PPCM251	20	3,93
32x"3/4	PPCM3234	10	5,08
32x1"	PPCM321	10	5,08
40x1"-1/4	PPCM40114	90	7,21
50x1"-1/2	PPCM50112	60	9,91
63x2"	PPCM632	30	12,32
75x2"-1/2	PPCM75212	15	30,51
90x3"	PPCM903	10	41,27

ACCESORIO DE LATÓN PN-25 PARA TUBERÍAS DE POLIETILENO

CODO



∅	Ref.	Ud.	€
20	C20LT	1	10,34
25	C25LT	1	17,29
32	C32LT	1	25,12
40	C40LT	1	41,18
50	C50LT	1	68,97
63	C63LT	1	100,89
75	C75LT	1	235,63

TE



∅	Ref.	Ud.	€
20	T20LT	1	15,52
25	T25LT	1	23,94
32	T32LT	1	32,96
40	T40LT	1	50,10
50	T50LT	1	91,13
63	T63LT	1	136,60
75	T75LT	1	308,09

TE HEMBRA



∅	Ref.	Ud.	€
20x1/2	TH20LT	1	11,92
25x3/4	TH25LT	1	19,95
32x1"	TH32LT	1	28,03
40x1"-1/4	TH40LT	1	45,71
50x1"-1/2	TH50LT	1	81,97
63x2"	TH63LT	1	129,26
75x2"-1/2	TH75LT	1	250,62

CODO MACHO



∅	Ref.	Ud.	€
20x1/2	CM20LT	1	7,34
25x3/4	CM25LT	1	12,02
32x1"	CM32LT	1	20,54
40x1"-1/4	CM40LT	1	30,79
50x1"-1/2	CM50LT	1	53,60
63x2"	CM63LT	1	82,71

ENTRONQUE MACHO



∅	Ref.	Ud.	€
20x1/2	EM20LT	1	5,12
25x3/4	EM25LT	1	7,78
32x1"	EM32LT	1	12,02
40x1"-1/4	EM40LT	1	20,05
50x1"-1/2	EM50LT	1	30,30
63x2"	EM63LT	1	46,85
75x2"-1/2	EM75LT	1	115,61

ENLACE HEMBRA



∅	Ref.	Ud.	€
20x1/2	EH20LT	1	5,76
25x3/4	EH25LT	1	8,77
32x1"	EH32LT	1	12,66
40x1"-1/4	EH40LT	1	21,48
50x1"-1/2	EH50LT	1	33,79
63x2"	EH63LT	1	65,22
75x2"-1/2	EH75LT	1	114,80

UNIÓN



∅	Ref.	Ud.	€
20	U20LT	1	8,13
25	U25LT	1	12,71
32	U32LT	1	18,87
40	U40LT	1	31,58
50	U50LT	1	47,39
63	U63LT	1	79,61
75	U75LT	1	191,28

CODO HEMBRA



∅	Ref.	Ud.	€
20x1/2	CH20LT	1	7,64
25x3/4	CH25LT	1	12,71
32x1"	CH32LT	1	17,98
40x1"-1/4	CH40LT	1	30,84
50x1"-1/2	CH50LT	1	50,89
63x2"	CH63LT	1	85,52
75x2"-1/2	CH75LT	1	151,92
20x1/2	CP20LT	1	10,64
25x3/4	CP25LT	1	17,04
32x1"	CP32LT	1	26,95

UNIONES Y JUNTAS

UNIONES ANTITRACCIÓN



∅	Ref.	Ud.	€
63	UA63	1	144,09
75	UA75	1	161,82
90	UA90	1	186,21
110	UA110	1	239,41
125	UA125	1	328,08
140	UA140	1	356,90
160	UA160	1	392,36
200	UA200	1	543,10

UNIONES UNIVERSALES



∅	Ref.	Ud.	€
57-74	UU5774	1	82,02
68-85	UU6885	1	104,19
84-106	UU84106	1	130,79
99-119	UU99119	1	139,66
109-133	UU109133	1	159,61
132-157	UU132157	1	217,24
157-183	UU157183	1	221,67
176-201	UU176201	1	250,49
193-215	UU193215	1	272,66

UNIONES GIBALT



∅	Ref.	Ud.	€
50	UGPVC050	1	19,20
63	UGPVC063	1	22,99
75	UGPVC075	1	26,80
90	UGPVC090	1	32,21
110	UGPVC110	1	44,80
125	UGPVC125	1	51,69
140	UGPVC140	1	56,93
160	UGPVC160	1	70,09
180	UGPVC180	1	91,20
200	UGPVC200	1	128,66
250	UGPVC250	1	173,50
315	UGPVC315	1	226,02
400	UGPVC400	1	293,34

JUNTAS EPDM



∅	Ref.	Ud.	€
50	J50	1	3,67
63	J63	1	4,57
75	J75	1	4,97
90	J90	1	5,36
110	J110	1	9,49
125/140	J125	1	10,73
160	J160	1	16,83
200	J200	1	27,11
250	J250	1	40,94
315	J315	1	47,44

JUNTAS PARA UNIONES GIBALT



∅	Ref.	Ud.	€
63	JG063	1	1,87
75	JG075	1	2,31
90	JG090	1	2,75
110	JG110	1	2,95
125	JG125	1	3,10
140	JG140	1	3,35
160	JG160	1	3,54
180	JG180	1	4,13
200	JG200	1	5,52
250	JG250	1	7,06
315	JG315	1	11,68
400	JG400	1	21,51

DIFUSORES Y TOBERAS



Hunter®

PSU

- Tobera preinstalada regulable de 0° a 360°.
- Caudales proporcionales al arco de riego.
- Se puede suministrar sin tobera (PSU-02 y PSU-04).
- Muelle de acero inoxidable de larga duración.
- Opciones: válvula antidrenaje y distintivo morado como identificador de agua no potable.
- Conexión: rosca 1/2" H.



PSU-02.-Altura de emergencia 5 cm.

REF.	MODELO	UNID./CAJA	P.V.P.
J3510-1	PSU-02-15A, alcance 4,6 m.	100	3,99 €
J3512-1	PSU-02-17A, alcance 5,2 m.	100	3,99 €

PSU-04.-Altura de emergencia 10 cm.

REF.	MODELO	UNID./CAJA	P.V.P.
J3517-1	PSU-04-15A, alcance 4,6 m.	100	3,99 €
J3519-1	PSU-04-17A, alcance 5,2 m.	100	3,99 €



Si va a incorporar una válvula Check a un difusor PSU, no olvide pedir también el filtro inferior del difusor que es donde asienta. La válvula Check puede ser incorporada a los modelos PSU-04, PSU-10, PSU-12, PSU-15 y PSU-17 pero no al modelo PSU02.



PRO-SPRAY

- Cuerpo de alta resistencia.
- Sistema de carraca reforzado para un fácil ajuste.
- Compatible con todas las toberas rosca hembra del mercado.
- Junta que proporciona la máxima estanqueidad.
- Fabricado en ABS.
- Opciones: válvula antidrenaje instalada de serie y cubierta identificativa de agua no potable.
- Conexión: rosca 1/2" H.



REF.	MODELO	UNID./CAJA	P.V.P.
J3458	PROS-02, altura de elevación 5 cm.	50	4,19 €
J3459	PROS-03, altura de elevación 7,5 cm.	50	4,19 €
J3610-2	VÁLVULA CHECK, para difusor PRO-SPRAY hasta 2,1 m.c.a.	25	6,00 €

Codos articulados "Hunter"

REF.	MODELO	UNID./CAJA	P.V.P.
J3611	SJ-506, codos articulados (15 cm longitud / rosca 1/2" x 1/2").	200	3,88 €
J3612	SJ-512, codos articulados (30 cm longitud / rosca 1/2" x 1/2").	100	4,67 €



DIFUSORES Y TOBERAS



Hunter®



TOBERAS DE ARCO REGULABLE

- Arco ajustable 0° a 360°.
- Compatible con todos los cuerpos difusores de rosca macho.

REF.	MODELO	UNID./CAJA	P.V.P.
J3444	8-A , arco ajustable, alcance 2,4 m.	25	2,49 €
J3440	10-A , arco ajustable, alcance 3 m.	25	2,49 €
J3441	12-A , arco ajustable, alcance 3,7 m.	25	2,49 €
J3442	15-A , arco ajustable, alcance 4,6 m.	25	2,49 €
J3443	17-A , arco ajustable, alcance 5,2 m.	25	2,49 €



INUNDADORES

PCN

- Autocompensantes.
- Rosca adaptable a difusores rosca macho.

REF.	MODELO	UNID./CAJA	P.V.P.
J3914	PCN-25 , 1 l/min.	25	4,34 €
J3915	PCN-50 , 2 l/min.	25	4,34 €



MP ROTATOR



Hunter®

MP ROTATOR

CARACTERÍSTICAS

- Convierte un difusor convencional en un aspersor de corto alcance y bajo consumo.
- Compatible con cualquier difusor rosca macho del mercado.
- Soluciona problemas de falta de presión o caudal.



REF.	MODELO	UNID./CAJA	P.V.P.
MP1000 ROTATOR			
JM1010	MP1000-90 , ajustable de 90° a 210° (granate).	10	14,52 €
JM1011	MP1000-360 , círculo completo (verde oliva).	10	14,52 €
MP2000 ROTATOR			
JM1020	MP2000-90 , ajustable de 90° a 210° (negro).	10	14,52 €
JM1022	MP2000-360 , círculo completo (rojo).	10	14,52 €
MP3000 ROTATOR			
JM1030	MP3000-90 , ajustable de 90° a 210° (azul).	10	14,52 €
JM1032	MP3000-360 , círculo completo (gris).	10	14,52 €
JM1000	MPTOOL , herramienta de ajuste radio arco.	10	1,94 €



MP 1000

- Radios de 2,5 hasta 4,6 metros
- Caudales de 0,7 a 3,20 l/min
- Presión de 1,7 a 3,7 bares
- Precipitación: 10 mm/h



MP 2000

- Radios de 4 hasta 6,4 metros
- Caudales de 1,2 a 6,4 l/min
- Presión de 1,7 a 3,7 bares
- Precipitación: 10 mm/h



MP 3000

- Radios de 6,7 hasta 9,1 metros
- Caudales de 2,8 a 16,2 l/min
- Presión de 1,7 a 3,7 bares
- Precipitación: 10 mm/h

ASPERSORES

ASPERSORES



Hunter®



ASPERSORES

ESPECIFICACIONES	PGJ	SRM	PGP®-ADJ	PGP®-ULTRA	I-20	I-25	I-40 I-50	I-40-ON I-50-ON	I-80	I-90	
CONEXIÓN	1/2"	1/2"	3/4"	3/4"	3/4"	1"	1"	1"	1- 1/2"	1 1/2"	
RADIO	m	4,3-11,6	4,0-9,4	6,4-15,8	4,9-14,0	11,9-21,6	13,1-23,3	15,2-23,2	11,3-29,6	22,3-31,7	
CAUDAL	m³/h	0,13-1,23	0,08-0,82	0,10-3,22	0,07-3,23	0,82-7,24	1,63-6,84	2,75-7,76	2,0-13,5	6,7-19,04	
	l/min	2,2-20,5	1,4-13,7	1,7-53,7	1,2-53,8	1,2-53,8	13,6-120,7	27,2-114,1	45,8-129,4	33,7-225,6	111,7-317,2
CARACTERÍSTICAS											
INTERVALO DE PRESIÓN RECOMENDADO	bar	1,7-3,8	1,7-3,8	1,7-4,5	1,7-4,5	1,7-4,5	2,5-7,0	2,5-7,0	2,5-7,0	3,4 - 6,9	5,5-8,0
	kPa	170-380	170-380	170-450	170-450	170-450	250-700	250-700	280-700	340-690	550-800
INTERVALO DE PRESIÓN DE FUNCIONAMIENTO	bar	1,4-7,0	1,4-7,0	1,4-7,0	1,4-7,0	1,4-7,0	2,8 -6,9	2,5-7,0	2,5-7,0	3,4 - 6,9	5,0 - 8,0
	kPa	140-700	140-700	140-700	140-700	140-700	280-690	250-700	250-700	340-690	500-800
TRAYECTORIA BOQUILLA		15°	15°	25°	25°	25°	25°	25°	25°	22,5°	
BOQUILLAS ESPECÍFICAS		----	----	----	Opcional	Opcional	Pre- instaladas	Pre- instaladas	Pre- instaladas	Pre- instaladas	Pre- instaladas
OPCIONES DE BOQUILLA		8	6	27	34	34	12	6	6	21	16
GARANTÍA		2 Años	1 Años	2 Años	5 Años	5 Años	5 Años	5 Años	5 Años	5 Años	5 Años
APLICACIONES											
BOQUILLAS DE ÁNGULO BAJO			●	●	●				●	●	
RETORNO AUTOMÁTICO DEL SECTOR				●	●	●	●				
ACCIONAMIENTO NO DESMONTABLE				●	●	●	●				
CIRCULO TOTAL O PARCIAL EN UN MISMO MODELO				●	●	●	●		●		
TRONILLO RETENEDOR PLANO O CON CABEZA	●			●	●						
IDENTIFICADOR DE AGUA RECICLADA	●			●	●	●	●	●	●	●	
DISPONIBILIDAD DE BOQUILLAS DE RADIO CORTO				●	●						
CONTROL FLOSTOP®					●						
BOQUILLAS OPUESTAS								●	●	●	
OPCIÓN VÁSTAGO METÁLICO					●	●	●	●	●		
CUERPO REGULADOR POR PRESIÓN OPCIONAL				●	●						
VÁLVULA ANTIDRENAJE OPCIONAL O INSTALADA EN FABRICA	● (2m)			● (2m)	● (3m)	● (3m)	● (4,5m)	● (4,5m)	● (1,5m)	● (2m)	

ASPERSORES



Hunter®

SRM

- Mini turbina ajustable.
- Alcance de 4,6 a 9,2 m.
- Seis toberas intercambiables.
- Conexión: rosca 1/2" H.

REF.	MODELO	UNID./CAJA	P.V.P.
J3597-2	SRM-04 , emergencia 10 cm.	25	15,95 €



PGJ



- Mini turbina de fácil ajuste con cubierta de goma integral.
- Compatible su funcionamiento en el mismo sector con turbinas de mayor capacidad.
- Alcance de 4,6 a 11,3 m.
- Ocho toberas intercambiables.
- Dos años de garantía.
- Conexión: rosca 1/2" H.



REF.	MODELO	UNID./CAJA	P.V.P.
J3102	PGJ-04 , emergencia 10 cms.	25	16,95 €

PGP

- Cubierta de goma integral.
- Arco ajustable de 40° a 360°.
- Alcance entre 8,8 y 15,2 m. y con toberas de ángulo bajo entre 7,9 y 12,8 m.
- Doce toberas intercambiables.
- Filtro de gran superficie.
- Dos años de garantía.
- Conexión: rosca 3/4" H.



REF.	MODELO	UNID./CAJA	P.V.P.
J3603	PGP-ADJ , emergencia 10 cms, arco ajustable.	20	18,70 €



ELECTROVÁLVULAS



Hunter®

PGV

- Construida en PVC de larga duración.
- Presión de trabajo, de 1,4 atm. a 10,3 atm.
- Posibilidad de incorporar regulador de presión ACCU-SYNC .
- Fijación de la tapa con tornillos.



REF.	MODELO	UNID./CAJA	P.V.P.
J3722	PGV-100G-B, Ø 1".	20	31,30 €
J3724	PGV-151B, Ø 1 1/2", con regulador de caudal; configuración en línea ó ángulo.	8	104,14 €
J3725	PGV-201B, Ø 2", con regulador de caudal; configuración en línea ó ángulo.	8	127,17 €



PGV-9V con solenoide 9V

REF.	MODELO	UNID./CAJA	P.V.P.
J3722-9V	PGV-100G-B9V, Ø 1".	20	57,41 €
J3724-9V	PGV-151B9V, Ø 1 1/2", con regulador de caudal.	8	135,60 €
J3725-9V	PGV-201B9V, Ø 2", con regulador de caudal.	8	160,94 €



PROGRAMADORES HYDRAWISE



PROGRAMADOR X2

- Programador de precio competitivo que continua la trayectoria del X-Core (programadores de dial) en terminos de fiabilidad y alta eficiencia pero dando un paso más añadiendo la opción de ahorro de agua gracias a su integración en la plataforma Hydrawise Ajustes del riego basados en datos meteorológicos locales obtenidos desde internet).
- EL programador X2 se transforma de forma rápida y sencilla en un programador WIFI bajo la plataforma de Hydrawise, simplemente añadiendo el módulo Wifi WAND
- Gracias a Hydrawise se pueden gestionar un número ilimitado de dispositivos de forma remota, con opción de programación rápida y sencilla, con información al momento del estado de los programadores.
- La pantalla retroiluminada permite visibilidad en cualquier condición de luz.
- Compatible con el control remoto ROAM y ROAM X. · Disponible en 4, 6, 8 y 14 estaciones.
- Con 3 programas y con 4 arranques cada programa y tiempos de riego de hasta 6 horas.
- La función QuickCheck™ diagnostica el estado del cableado. Si se detecta fallo en el cableado de una estación, el programador anula el riego de esa estación pero continua con el riego del resto.
- Con posibilidad de suspender el riego hasta 99 días.
- Con posibilidad de configuración de retraso de arranque de estación en caso de válvulas de arranque transiciones en los bombeos. · Con opción de Ciclo-Remojo para evitar pérdidas de agua o escorrentía.



REF.	MODELO	UNID./CAJA	P.V.P.
J5380	X2-401-E. Programador de 4 estaciones, transformador interno 230V	10	211,57 €
J5381	X2-601-E. Programador 6 estaciones, transformador interno 230V	10	241,80 €
J5382	X2-801-E. Programador de 8 estaciones, transformador interno 230V	10	289,88 €
J5383	X2-1401-E. Programador 14 estaciones, transformador interno 230V	10	501,47 €
J5384	WAND. Módulo WI-FI para transformación en programador compatible con Hydrawise.	1	237,68 €

PROGRAMADORES 24V

ECO LOGIC 24V

- Programador electrónico con triple programa y 4 arranques diarios por programa.
- Modelo de montaje interior (4 y 6 estaciones).
- Programación no volátil.



REF.	MODELO	UNID./CAJA	P.V.P.
J3358	ELC-401i-E, 4 estaciones, transformador exterior incluido.	8	
J3359	ELC-601i-E, 6 estaciones, transformador exterior incluido.	8	102,85 €

X-CORE 24V

- Programador electrónico con triple programa y 4 arranques diarios por programa.
- Modelo de montaje interior (2, 4, 6, 8 estaciones) o mural exterior (4, 6, 8 estaciones).
- Capaz de poner en funcionamiento 3 solenoides simultáneamente. Salida transformador 1A.
- Programación no volátil.



Para montaje mural en interior

REF.	MODELO	UNID./CAJA	P.V.P.
J3350	XC-201i-E, 2 estaciones, transformador exterior incluido.	10	117,59 €
J3351	XC-401i-E, 4 estaciones, transformador exterior incluido.	10	133,27 €
J3352	XC-601i-E, 6 estaciones, transformador exterior incluido.	10	148,94 €
J3353	XC-801i-E, 8 estaciones, transformador exterior incluido.	10	188,14 €

TRANSFORMADOR PROGRAMADORES 24 V

REF.	MODELO	UNID./CAJA	P.V.P.
J3416	Transformador 220V x 24V.	12	50,19 €



PROGRAMADORES 9V

NODE BT

NODE - PROGRAMADOR AUTÓNOMO DE PILAS

- Programador Node gestionado por móvil o tablet a través de Bluetooth con alcance de la señal de hasta 15 m.
- Tirada máxima de cable hasta el solenoide de la válvula hasta 30 metros. · Protección IP68.
- Rediseñado el alojamiento de las baterías para evitar el posible daño de cable por enganches.
- App multilinguaje con aviso de necesidad de sustitución de pilas.
- Accionamiento y cancelación de riego, registros y comprobación del estado de la batería con sólo la pulsación de un botón en el dispositivo sin necesidad de uso de la app.
- Con indicador led en la carcasa del estado de la pila (verde o rojo) y estación activa.
- Con entrada para conexión a sensor de humedad del suelo.
- Compartimento de pilas rediseñado y más fiable. Posibilidad también de añadir sensor de heladas y de lluvia.
- Modelos de 1,2 y 4 estaciones. · 3 programas independientes y 8 arranques por programa.
- Tiempos de riego desde 1 segundo hasta 12 horas. · Número ilimitado de dispositivos a manejar por la app.
- Posibilidad de programar días sin riego (de 1 a 31).
- Posibilidad de configurar "Ciclo-Remojo" por estación para evitar pérdidas de agua por escorrentías.
- Ajuste estacional del riego desde 10% a 300%.
- Con código de seguridad de acceso. · Con botón para arranque manual y avance. · Con programa de testeo de todas las estaciones.
- Con tapa protectora de goma. · Posibilidad de poner una o dos baterías de 9 voltios para extender el cambio de baterías.
- Con garantía de dos años.



REF.	MODELO	UNID./CAJA	P.V.P.
J3683-1 ND BT	NODE-BT-100. Programador Bluetooth alimentado por pilas para 1 est. y solenoide latch.	10	197,98 €
J3683-1 ND LS BT	NODE-BT-100-LS. Programador Bluetooth alimentado por pilas para 1 est. (sin solenoide).	10	182,74 €
J3684-2 ND BT	NODE-BT-200. Programador Bluetooth alimentado por pilas para 2 est. (sin solenoides).	10	258,89 €
J3685 ND BT	NODE-BT-400. Programador Bluetooth alimentado por pilas para 4 est. (sin solenoides).	10	304,60 €
J3684 ND BT	NODE-BT-100-VALVE-B. Programador Bluetooth alimentado por pilas para una estación con válvula PGV-101G con rosca BSP y solenoide latch.	10	217,00 €
J3684 SC	SC PROBE. Sensor de humedad del suelo.	1	Consultar

SENSORES



MINI - CLICK, sensor de lluvia



- Detiene el sistema al detectar lluvias entre 3 y 20 mm.

REF.	MODELO	UNID./CAJA	P.V.P.
J3671	Mini-Click. Sensor de lluvia ajustable entre 3 y 20 mm, con 8 mts de cable y estructura de aluminio.	24	66,94 €

DEPÓSITOS DE POLIÉSTER PRFV



CARACTERÍSTICAS DE LOS PLATOS DE DUCHA

Todas las medidas y formatos
Diversidad de texturas y colores
Válvula y rejilla de acero inoxidable
Material antideslizante
Fácilmente adaptable

PORTES INCLUIDOS

COMUNIDAD VALENCIANA Y MURCIA



- 2 AÑOS DE GARANTÍA
- FABRICADO EN ESPAÑA
- SOLO 2,7 CM DE ESPESOR
- GAMA DE COLORES
- FÁCILMENTE ADAPTABLE
- ANTIDESLIZANTE
- ANTIBACTERIANO

CARTA DE COLORES RAL

DEPÓSITOS DE POLIÉSTER PRFV

DEPÓSITOS DE POLIÉSTER PRFV



Medidas cm
70
80
90
100
110
120
130
140
150
160
170
180
190
200

	70	80	90
151,80 €	171,60 €	191,40 €	
171,60 €	195,80 €	220,00 €	
191,40 €	220,00 €	246,40 €	
213,40 €	242,00 €	264,00 €	
233,20 €	264,00 €	297,00 €	
253,00 €	286,00 €	319,00 €	
275,00 €	310,20 €	345,40 €	
294,80 €	332,20 €	371,80 €	
312,40 €	352,00 €	396,00 €	
332,20 €	369,60 €	407,00 €	
352,00 €	400,40 €	442,20 €	
371,80 €	420,20 €	464,20 €	
391,60 €	440,00 €	490,60 €	
420,20 €	462,00 €	512,60 €	

DEPURADORA DE OXIDACIÓN TOTAL HORIZONTAL

Referencia	Capacidad (L)	Personas Nº	Ancho (m)	Largo (m)	Alto (m)	Tuberías Ø (m)	Precio (€)
BIOXI01000	1.000	2	1,050	2,200	1,000	0,125	2.658
BIOXI01500	1.500	4	1,200	2,200	1,200	0,125	3.184
BIOXI02000	2.000	6	1,400	2,600	1,200	0,125	3.587
BIOXI03000	3.000	8	1,500	2,650	1,500	0,125	4.640
BIOXI04000	4.000	10	1,300	3,350	1,450	0,125	4.831
BIOXI05000	5.000	14	1,600	2,900	2,000	0,125	5.026
BIOXI06000	6.000	16	1,600	3,450	1,750	0,125	6.378
BIOXI08000	8.000	20	2,000	3,250	2,150	0,160	7.972
BIOXI10000	10.000	25	2,000	3,700	2,150	0,160	9.321
BIOXI12000	12.000	32	2,000	4,770	2,100	0,200	9.934
BIOXI15000	15.000	40	2,500	3,700	2,600	0,200	11.529
BIOXI18000	18.000	50	2,500	4,000	2,600	0,200	13.123

NORMA UNE-EN 12566-3 



Modelo hasta 3.000 Lts.

FOSA COMPACTA CON FILTRO BIOLÓGICO

Referencia	Capacidad (L)	Personas Nº	Ancho (m)	Largo (m)	Alto (m)	Tuberías Ø (m)	Precio (€)
FCPCH 001000	1.000	4	1,050	2,200	1,000	0,125	1.265
FCPCH 001500	1.500	6	1,200	2,200	1,200	0,125	1.446
FCPCH 002000	2.000	8	1,400	2,600	1,200	0,125	2.004
FCPCH 003000	3.000	12	1,500	2,650	1,500	0,125	2.736
FCMGH 005000	5.000	20	1,600	2,950	1,750	0,125	4.638
FCMGH 006000	6.000	24	1,600	3,450	1,750	0,160	5.775
FCMGH 008000	8.000	32	1,600	4,400	1,700	0,160	6.681
FCMGH 010000	10.000	40	2,000	3,700	2,115	0,160	8.404
FCMGH 012000	12.000	48	2,000	4,770	2,100	0,160	9.894
FCMGH 015000	15.000	60	2,000	4,900	2,100	0,200	11.385



FOSA SÉPTICA

Referencia	Capacidad (L)	Personas Nº	Ancho (m)	Largo (m)	Alto (m)	Tuberías Ø (m)	Precio (€)
FSPCH 001000	1.000	4	1,050	2,200	1,000	0,125	1.008
FSPCH 001500	1.500	6	1,200	2,200	1,200	0,125	1.211
FSPCH 002000	2.000	8	1,400	2,600	1,200	0,125	1.775
FSPCH 003000	3.000	12	1,500	2,650	1,500	0,125	2.013
FSMGH 004000	4.000	16	1,300	3,350	1,450	0,125	3.252
FSMGH 005000	5.000	20	1,600	2,900	1,750	0,125	3.516
FSMGH 006000	6.000	24	1,600	3,450	1,750	0,125	3.610
FSMGH 008000	8.000	32	1,600	4,400	1,650	0,160	6.200
FSMGH 010000	10.000	40	2,000	3,700	2,150	0,160	7.557
FSMGH 012000	12.000	48	2,500	2,400	2,650	0,160	8.399
FSMGH 015000	15.000	60	2,500	3,100	2,750	0,200	9.253



Bioacqua®

www.bioacqua.es

SEPARADOR DE GRASAS

Referencia	Capacidad (L)	Ancho (m)	Largo (m)	Alto (m)	Tuberías Ø (m)	Precio (€)
SDMGR 000200	200	0,850	1,000	0,500	0,110	482
SDMGR 000300	300	0,850	1,050	0,580	0,125	544
SDMGR 000500	500	0,900	1,360	0,600	0,125	700
SDMGR 001000*	1.000	1,050	2,200	1,000	0,125	1.088

Referencia	Capacidad (L)	Ancho (m)	Largo (m)	Alto (m)	Tuberías Ø (m)	Precio (€)
SGFCR 70*	70	0,460	0,670	0,410	0,50	343



DEPÓSITOS DE P.R.F.V. VERTICALES

Referencia	Capacidad (L)	Diámetro (Ø)	Alto (m)	Precio (€)
DPVFP 002000	2.000	1,300	1,700	1.487
DPVFP 003000	3.000	1,300	2,450	1.810
DPVFP 004000	4.000	1,600	2,100	2.068
DPVFP 005000	5.000	1,600	2,500	2.338
DPVFP 006000	6.000*	2,000	2,200	2.551
DPVFP 008000	8.000	2,000	2,850	2.910
DPVFP 010000	10.000	2,500	2,400	3.820
DPVFP 012000	12.000*	2,500	2,700	4.226
DPVFP 015000	15.000	2,500	3,450	4.935
DPVFP020000	20.000	2,500	4,400	5.285
DPVFP024000	24.000*	2,500	5,250	5.775



DEPÓSITOS DE P.R.F.V. HORIZONTALES AÉREOS

Referencia	Capacidad (L)	Diámetro (Ø)	Largo (m)	Alto (m)	Ancho (m)	Precio (€)
DHCSA001000	1.000*	1,050	2,200	1,000	1,050	938 *
DHCSA001500	1.500*	1,200	2,200	1,200	1,200	1.126 *
DHCSA002000	2.000*	1,400	2,600	1,200	1,400	1.613 *
DHCSA003000	3.000*	1,500	2,600	1,500	1,500	1.875*
DHCSA004000	4.000	1,300	3,350	1,400	1,400	2.321
DHCSA005000	5.000	1,600	2,950	2,000	1,700	3.316
DHCSA006000	6.000	1,600	3,450	2,000	1,700	3.573
DHCSA007000	7.000	1,600	3,950	2,000	1,700	3.830
DHCSA008000	8.000	1,600	4,450	2,000	1,700	4.446
DHCSA010000	10.000	2,000	3,880	2,400	2,010	5.266
DHCSA012000	12.000	2,000	4,770	3,000	2,010	6.071
DHCSA015000	15.000	2,500	3,700	2,900	2,900	7.190



Bioacqua®

www.bioacqua.es

DEPÓSITOS DE P.R.F.V. HORIZONTALES PARA ENTERRAR

Referencia	Capacidad	Diámetro	Largo	Alto	Precio
DHEAR001000	1.000*	1,050	2,200	1,000	1.228 *
DHEAR001500	1.500*	1,200	2,200	1,200	1.430 *
DHEAR002000	2.000*	1,400	2,600	1,200	1.938 *
DHEAR003000	3.000*	1,500	2,600	1,500	2.145 *
DHEAR004000	4.000	1,300	3,350	1,450	2.810
DHEAR005000	5.000	1,600	2,950	1,750	3.271
DHEAR006000	6.000	1,600	3,450	1,750	3.584
DHEAR007000	7.000	1,600	3,950	1,750	3.887
DHEAR008000	8.000	2,000	3,250	2,150	4.191
DHEAR010000	10.000	2,000	3,700	2,115	5.028
DHEAR012000	12.000	2,500	3,000	2,550	5.356
DHEAR015000	15.000	2,500	3,100	2,650	6.341
DHEAR020000	20.000	2,500	4,700	2,650	7.658
DHEAR025000	25.000	2,500	5,700	2,650	8.452



DEPÓSITO POLIÉSTER PARA LÍQUIDOS
CILINDROS CÓNICOS CON TAPA

Referencia	Capacidad (L)	Diámetro (Ø)	Alto (m)	Precio (€)
DPCCH00100	100	0,780	0,520	130
DPCCH00200	200	0,820	0,700	165
DPCCH00300	300	0,780	0,950	188
DPCCH00500	500	0,990	1,150	218
DPCCH01000	1000	1,200	1,380	331
DPCCH02000	2.000	1,680	1,400	657
DPCCH03000	3.000	1,900	1,750	886
DPCCH05000	5.000	2,200	1,850	1.532
TPRO15	TAPA	150	-	22



DEPÓSITO POLIÉSTER PARA LÍQUIDOS
RECTANGULARES CON TAPA

Referencia	Capacidad (L)	Ancho (m)	Largo (m)	Alto (m)	Precio (€)
DPRCH000100-1	100	0,750	0,900	0,350	132
DPRCH000100-2	100	0,420	0,660	0,500	132
DPRCH000200	200	0,850	1,000	0,500	240
DPRCH000300	300	0,900	1,050	0,600	279
DPRCH000500	500	0,960	1,290	0,620	343
DPRCH001000	1.000	1,150	1,870	0,740	574
TPRO15	TAPA	150	-	-	22



Bioacqua[®]

www.bioacqua.es



DESCARGADOR CÍES UNIVERSAL CON BASE

Válido para todas las bases **Roca**

Doble pulsador

Fabricado con plásticos de alta resistencia

Embalaje en bolsa para colgar

(cajas de 20 uds.)

PVPR: 19,60 €

DESCARGADOR UNIVERSAL CON BASE



Doble pulsador

Fabricación con plásticos de alta resistencia

Rosca standard y base

Embalaje en caja de cartón

Cajas de 16 Uds.

PVPR 25,47 €

GRIFO FLOTADOR LATERAL



Conexión latón: 3/8"

Carga rápida y silenciosa

Fabricación con plásticos de alta resistencia

Presión de trabajo hasta 10 bar

Embalaje Bolsa de Colgar de 40 Uds.

PVPR 10,54 €

GRIFO FLOTADOR 2x1



Conexión latón: 3/8"

Carga rápida y silenciosa

Fabricación con plásticos de alta resistencia

Presión de trabajo hasta 10 bar

Embalaje Bolsa de Colgar de 40 Uds.

PVPR 11,88 €

GRIFO FLOTADOR INFERIOR



Conexión latón: 3/8"

Carga rápida y silenciosa

Fabricación con plásticos de alta resistencia

Presión de trabajo hasta 10 bar

Embalaje Bolsa de Colgar de 40 Uds.

PVPR 11,40 €

CONDICIONES GENERALES

Pedidos: Todos los pedidos se realizarán por escrito, indicando referencias y cantidades.

Entrega: Se considera como fecha de entrega la fecha de salida de nuestros almacenes.

Las facturas se emitirán con fecha de entrega de la mercancía. Todos los envíos van por cuenta y riesgo del comprador. No se admiten reclamaciones pasadas 48 horas de la fecha de envío. Los pedidos podrán ser entregados parcialmente sin que ello implique la anulación del mismo.

Precios: Todos los precios son recomendados de venta al público. Cualquier impuesto o arbitrio no está incluido en los precios de esta tarifa.

Garantía: Nuestros productos están garantizados durante un año desde la fecha de factura, cubriendo exclusivamente cualquier defecto de fabricación, no atendiendo a ningún gasto ni indemnización. La garantía no será válida cuando los productos hayan sido manipulados o modificados indebidamente, ni hayan sido instalados conforme a las normas. La garantía solo cubre la reposición de las piezas reconocidas como defectuosas.

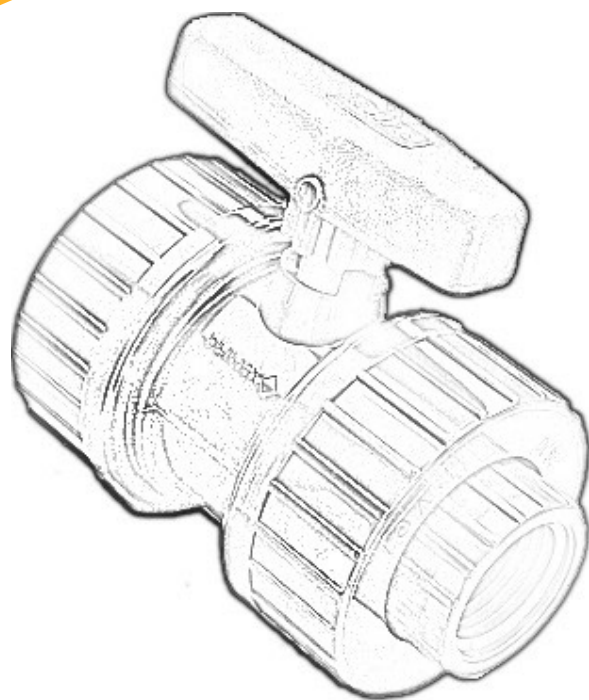
Pago: Los pagos serán efectuados al contado, salvo acuerdo entre ambas partes. Cualquier gasto, tasa o impuesto será por cuenta del comprador. En caso de demora del vencimiento, se aplicará un cargo al comprador por los gastos generados por el impago y por el interés legal del dinero hasta la fecha en que se satisfaga el pago.

Devolución: Sólo se aceptarán las devoluciones que previamente sean admitidas. Si la devolución es aceptada, deberá ir con sus embalajes originales y estar en perfecto estado, siendo el comprador quien asuma los gastos de envío. Asimismo, se aplicará una depreciación del 10% en concepto de manipulación, inspección y revisión. Los abonos admitidos serán descontados de futuras facturas.

Reserva de dominio: Los materiales suministrados serán propiedad de Prades y Verdeguer S.L. hasta que no se haya realizado el pago de los mismos.

Prades y Verdeguer S.L. se reserva el derecho de retirar la mercancía total o parcialmente del domicilio del comprador si no se hacen efectivos los pagos.

Jurisdicción: Ante cualquier litigio, las partes se someten a la jurisdicción de los tribunales de Valencia, con renuncia expresa a su propio fuero si este fuese otro.



Prades i Verdeguer

REPRESENTACIONES

Pol. Ind. Enchilagar del Rullo, 82-B, 46191 Vilamarxant - Valencia
677 424 177 - 615 830 463 info@pradesiverdeguer.com